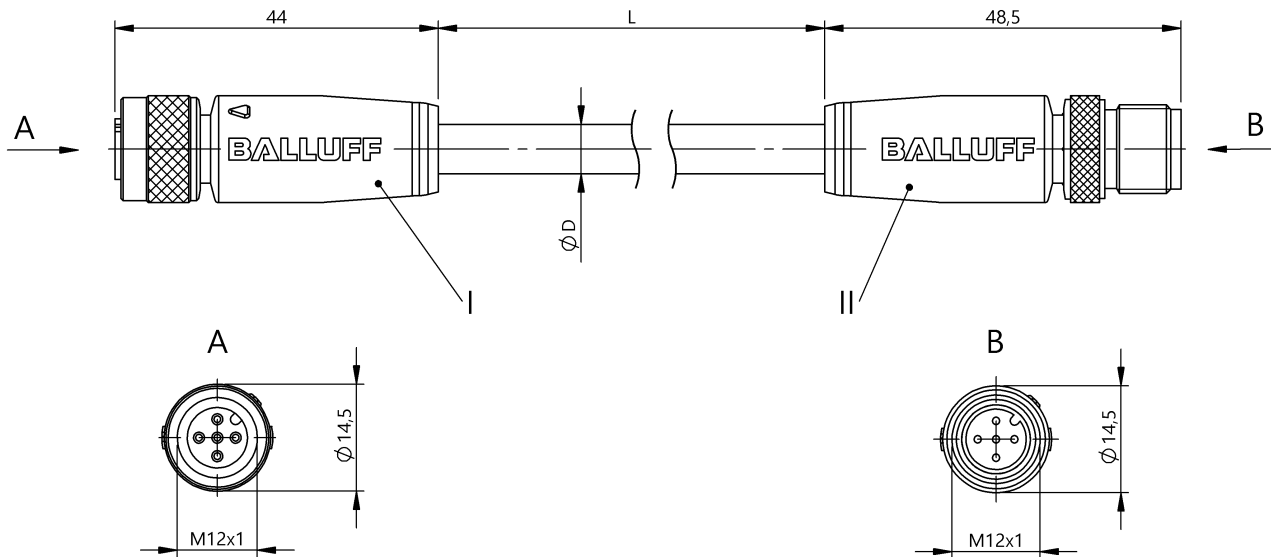


Double-Ended Cordsets
BCC M415-M415-3A-330-VS85N6-010
 Order Code: BCC0FMU

BALLUFF



Basic features

Application	DeviceNet Thin
Approval/Conformity	CE cULus WEEE

Environmental conditions

Ambient temperature	-20...80 °C
IP rating	IP67, IP68, IP69K/IP67, IP68, IP69K

Electrical connection

Cable	PVC Shielded gray, 1 m
Cable diameter D	7.20 mm ±0.13 mm
Conductor cross-section	22 AWG
Connection 1	M12x1-Female, straight, 5-pin, A-coded
Connection 2	M12x1-Male, straight, 5-pin, A-coded
Number of conductors	4
System	Molded/Molded

Material

Cable jacket material, note	Shielded
Cable jacket, material	PVC
Cable shield	Aluminum foil and copper braid
Material contact carrier	PUR/PUR
Material contacts	Bronze/Brass
Material cover nut	Die-cast zinc/Die-cast zinc
Material grip	PUR/PUR

Electrical data

Cable rated voltage AC max.	300 V
Cable rated voltage DC max.	300 V
Conductor construction	2x2 twisted-pair
Operating voltage Ub	60 VDC / 60 VAC
Rated current (40 °C)	4.0 A
Surge impedance	120 Ohm ±12 Ohm

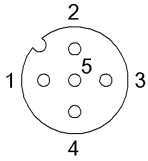
Mechanical data

Cable jacket, color	gray
Cable length L	1.00 m
Tightening torque pigtail	0.6 Nm/0.6 Nm

Remarks

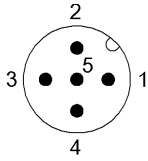
Cable construction acc. to CMG 75°C or CL2
 Flame resistant per UL 1685 (CSA FT4)
 Enclosure rating per IEC 60529 or 20653, only in screwed state with the associated mating piece.

Connector Drawings



I

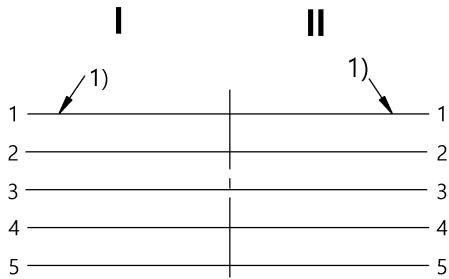
- PIN 1: shield
- PIN 2: red (AWG22)
- PIN 3: black (AWG22)
- PIN 4: white (AWG24)
- PIN 5 blue (AWG24)



II

- PIN 1: shield
- PIN 2: red (AWG22)
- PIN 3: black (AWG22)
- PIN 4: white (AWG24)
- PIN 5 blue (AWG24)

Wiring Diagrams



1) Shield on PIN 1